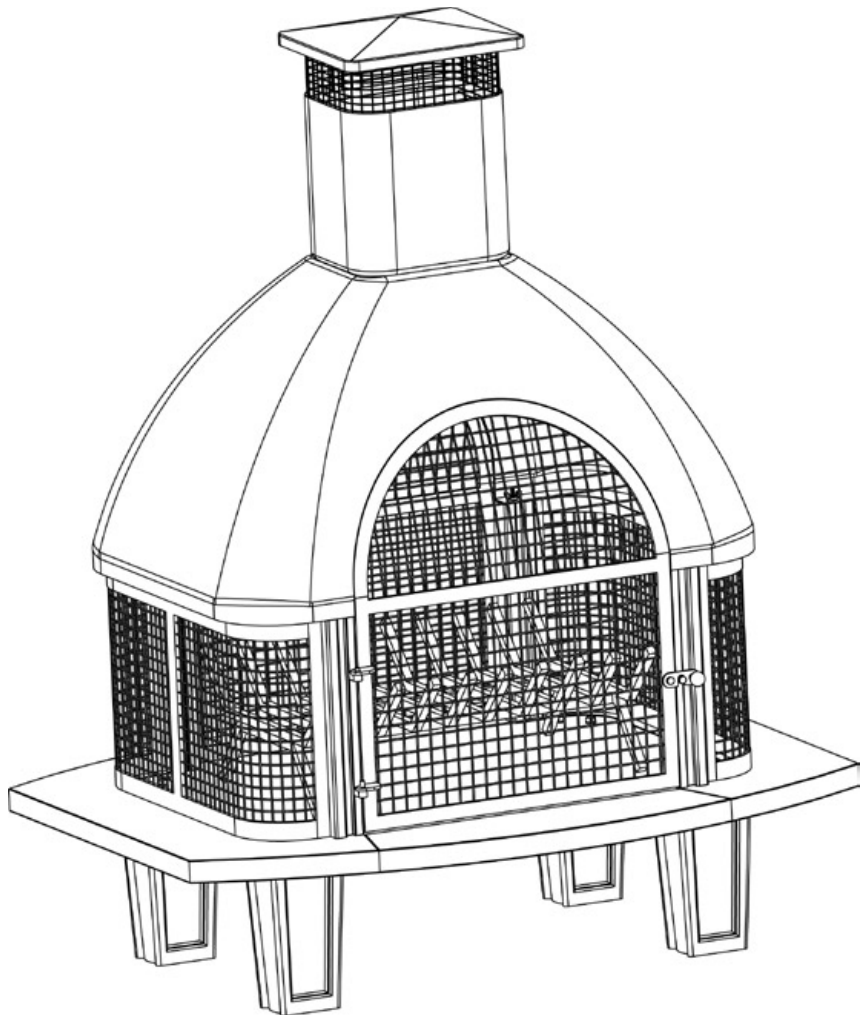




## Outdoor Fireplace Model No. 255635



- Notice**
1. Fireplace heat may initially cause copper's protective coating to darken.
  2. You can restore copper look by using a scrub sponge, soap and water.
  3. A scrub sponge has been included for initial cleaning.
  4. Exposed copper will naturally age to a patina.
  5. Enjoy the aged look as it develops.

**WARNING**  
**FOR YOUR SAFETY:**  
For Outdoor Use Only  
(outside any enclosure)

**WARNING**  
**FOR YOUR SAFETY:**

1. Improper installation, adjustment, alteration, service or maintenance can cause injury or property damage.
2. Read the installation, operation, and maintenance instructions thoroughly before installing or servicing this equipment.
3. Failure to follow these instructions could result in fire or explosion, which could cause property damage, personal injury, or death.

Save these instructions for future reference. If you are assembling this unit for someone else, give this manual to him or her to read and save for future reference.

### Table of Contents

Important Safeguards .....	1
Exploded View & Hardware .....	2
Assembly Instructions .....	3
Operating Instructions .....	5
Lighting .....	5
Tending the Fire .....	5
Extinguishing .....	5
Cleaning and Care .....	5
Inspecting .....	5
Cleaning .....	5
Storing .....	5
Product Registration .....	5
Limited Warranty .....	5

Manufactured in China for:  
Blue Rhino Global Sourcing, LLC  
104 Cambridge Plaza Drive, Winston-Salem, NC 27104 USA  
1.800.762.1142, www.bluerhino.com

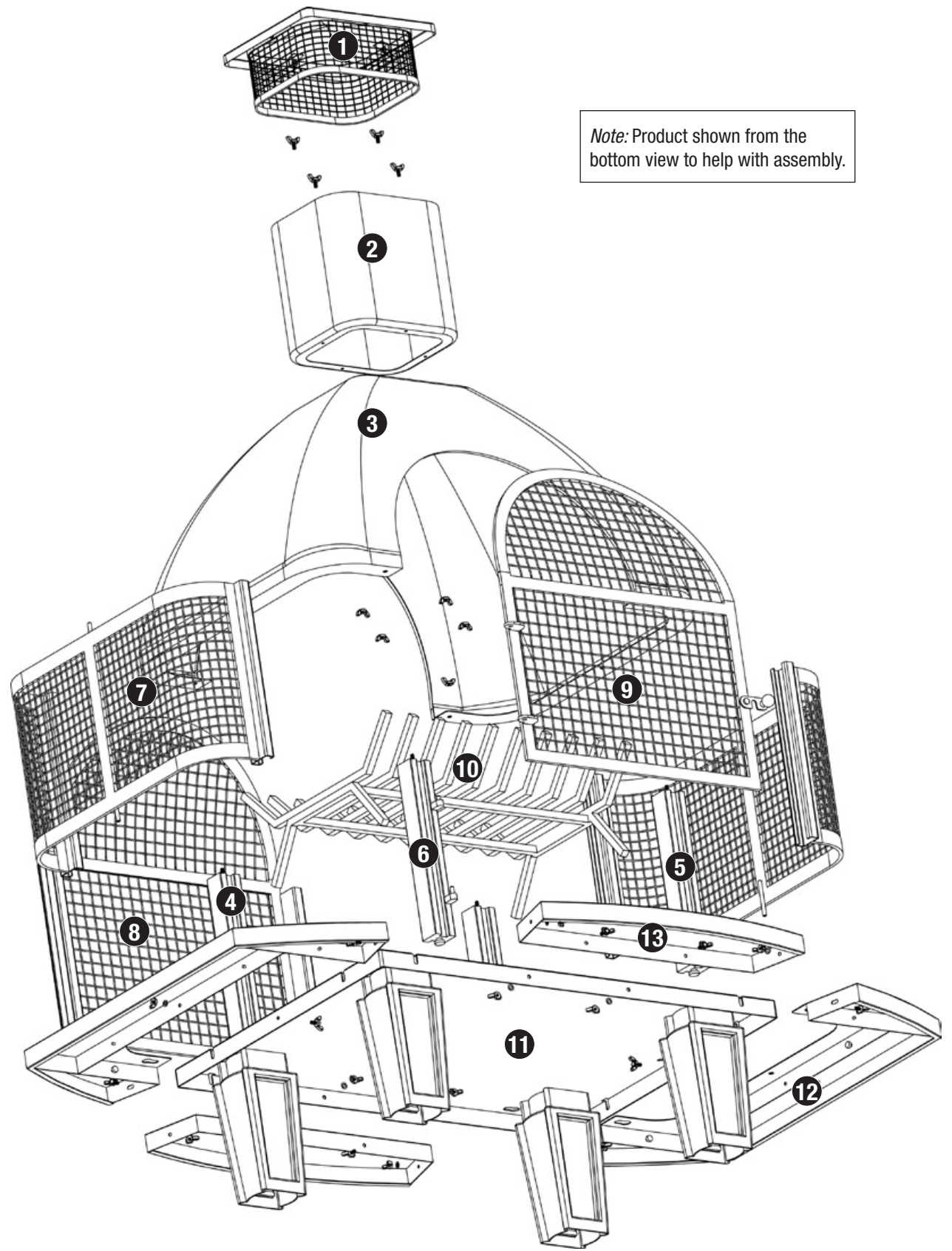


**WARNING**  
**FOR YOUR SAFETY**

1. This appliance is for outdoor use only, and shall NOT be used in a building, garage, or any other enclosed area.
2. Do NOT use this outdoor fireplace for indoor heating. TOXIC carbon monoxide fumes can accumulate and cause asphyxiation.
3. This outdoor fireplace is NOT for commercial use.
4. This outdoor fireplace is NOT to be operated by children.
5. This outdoor fireplace is NOT to be used in or on boats or recreational vehicles.
6. Always use in accordance with all applicable local, state and national codes. Contact your local fire department for details on outdoor burning.
7. When using this outdoor fireplace, exercise the same precautions you would with any open fire.
8. The use of alcohol, prescription or non-prescription drugs may impair the consumer's ability to properly assemble or safely operate this outdoor fireplace.
9. Do NOT use this outdoor fireplace without reading the entire "Owner's Manual".
10. This outdoor fireplace is for use with dry, seasoned hardwood. It will burn hotter, more completely and create less smoke.
11. Do NOT burn charcoal briquets, lump charcoal, manufactured logs, driftwood, trash, leaves, paper, cardboard, plywood, painted or stained or pressure treated wood. Avoid using softwoods such as pine or cedar that can throw sparks.
12. Do NOT alter this outdoor fireplace in any manner.
13. Do NOT use this outdoor fireplace until it is COMPLETELY assembled and all parts are securely fastened and tightened.
14. Do NOT store or use gasoline or other flammable vapors or liquids in the vicinity of this or any other appliance.
15. Do NOT store or use an LP gas cylinder within 10 feet (3.05 m) of this outdoor fireplace while it is in operation.
16. Do NOT use this outdoor fireplace near automobiles, trucks, vans or recreational vehicles.
17. Do NOT use in an explosive atmosphere. Keep outdoor fireplace area clear and free from combustible materials, gasoline and other flammable liquids.
18. Do NOT use this outdoor fireplace under any overhead or near any unprotected combustible constructions. Avoid using near or under overhanging trees and shrubs.
19. Always use this outdoor fireplace on a hard, level non-combustible surface such a concrete, rock or stone. An asphalt or blacktop surface may not be acceptable for this purpose. Do NOT use on wooden decks.
20. Always empty this outdoor fireplace before each use. Leave a thin layer of ash to protect the bottom.
21. Do NOT wear flammable or loose clothing when operating this outdoor fireplace.
22. Do NOT use in windy conditions.
23. Do NOT use this outdoor fireplace unless spark guards are securely in place.
24. Do NOT use gasoline, kerosene, diesel fuel, lighter fluid or alcohol to light or relight fires.
25. Keep all electrical cords away from a hot fireplace.
26. All surfaces of this outdoor fireplace are hot when in operation. To avoid burns, do NOT touch fireplace until it has completely cooled unless you are wearing protective gear (Potholders, gloves, BBQ mittens, hot pads & etc.). Never touch ashes or coals to see if they are hot.
27. Do NOT leave a lit outdoor fireplace unattended, especially around children and pets.
28. Do NOT attempt to move or store this outdoor fireplace until all ashes and coals are completely extinguished.
29. Do NOT remove ashes or coals until they are completely and fully extinguished.
30. Use heat-resistant gloves or hot pads when contacting handles and air vents.
31. Use long, sturdy fireplace tools when adding or moving logs.
32. Do NOT place wood directly into bottom of the outdoor fireplace. Place wood only on the wood pan/grid. Do NOT load firewood into the chimney.
33. Do NOT overload the fireplace. Do not add additional firewood until the fire burns down. NOTICE: If any portion of the bowl, lid or spark guards of this outdoor fireplace are glowing red it is overloaded.
34. Make sure all doors can completely close before starting a fire.
35. Do NOT lean over this outdoor fireplace when lighting or when in use.
36. Do NOT place a hot spark guard or hot fireplace tools onto combustible surfaces such as grass, wooden deck or furniture.
37. Avoid breathing smoke from the fire and avoid getting it into your eyes.
38. This outdoor fireplace should be thoroughly inspected and cleaned on a regular basis.
39. After a period of storage and/or non-use, check for signs of damage and creosote build-up. Do NOT operate until necessary repairs and/or cleanup are executed.
40. Use only Blue Rhino Global Sourcing, LLC factory authorized parts. The use of any part that is NOT factory authorized can be dangerous and will void your warranty.
41. Deaths, serious injury or damage to property may occur if the above is not followed exactly.

**Exploded View**

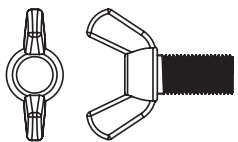
- 1. Top..... 56-01-300
- 2. Chimney..... 56-01-301
- 3. Hood ..... 56-01-302
- 4. Rear Rail (2) ..... 56-01-303
- 5. Right Door Rail ..... 56-01-304
- 6. Left Door Rail ..... 56-01-305
- 7. Side Spark Guard (2) ..... 56-01-306
- 8. Back Spark Guard ..... 56-01-307
- 9. Door..... 56-01-308
- 10. Wood Rack..... 56-01-309
- 11. Base..... 56-01-310
- 12. Side Board (2)..... 56-01-311
- 13. Hearth (2)..... 56-01-312



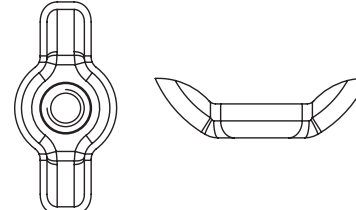
Note: Product shown from the bottom view to help with assembly.

**Hardware / Actual Size**

A. Wing Screw 14 pcs  
M5x10 Black Nickel Plated Wing Screw



C. Wing Nut 18 pcs  
ø5 Black Nickel Plated Wing Nut



B. Washer 10 pcs  
ø5 Black Nickel Plated Washer



## Assembly Instructions

### DO NOT RETURN PRODUCT TO STORE.

For assistance call 1.800.762.1142 toll free. Please have your owner's manual and serial number available for reference.

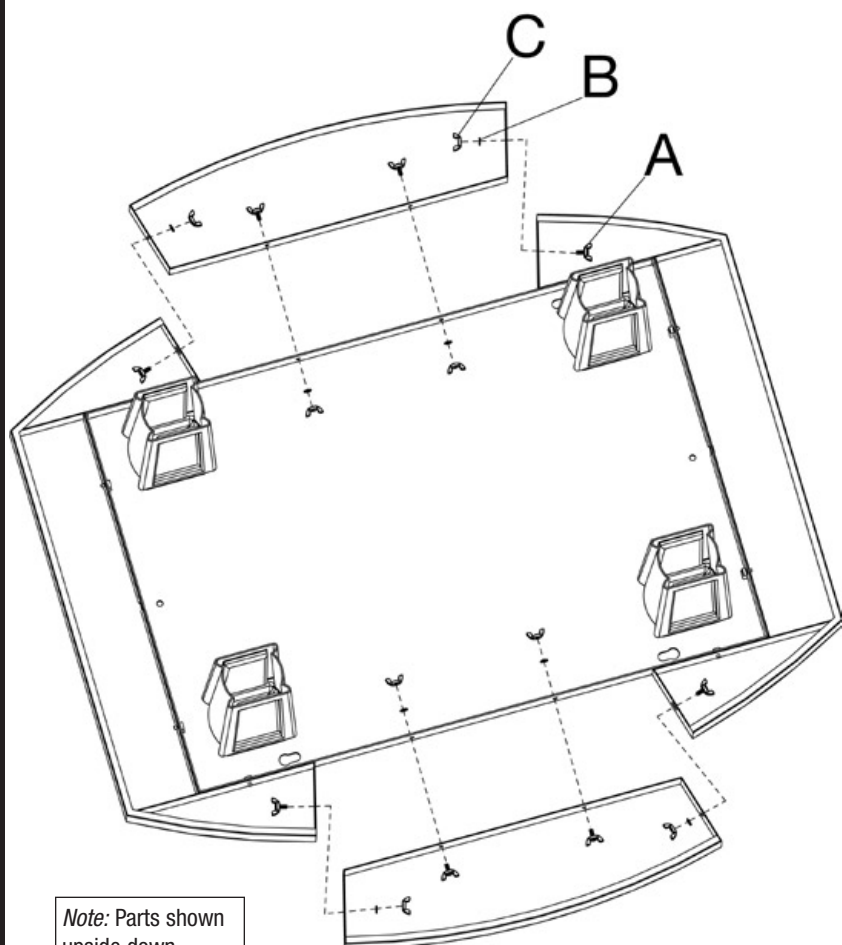
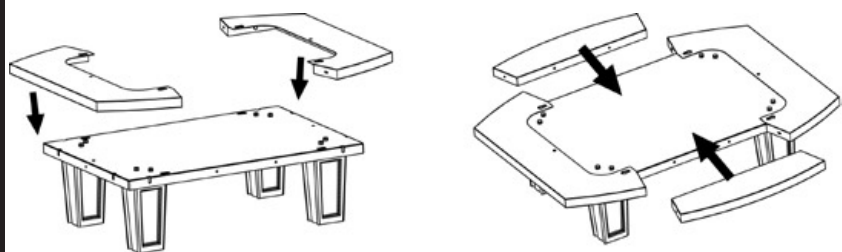
For Easiest Assembly:

- To avoid losing any small components or hardware, assemble your product on a hard level surface that does not have cracks or openings.
- Clear an area large enough to layout all components and hardware.
- When applicable, tighten all hardware connections by hand first. Once the step is completed go back and fully tighten all hardware.
- Follow all steps in order to properly assemble your product.

### Step 1 Attach hearths

A. Place side boards onto base.

B. Attach hearth to base and side boards using 8 sets of wing screws (A), washers (B) and wing nuts (C)



Note: Parts shown upside down.

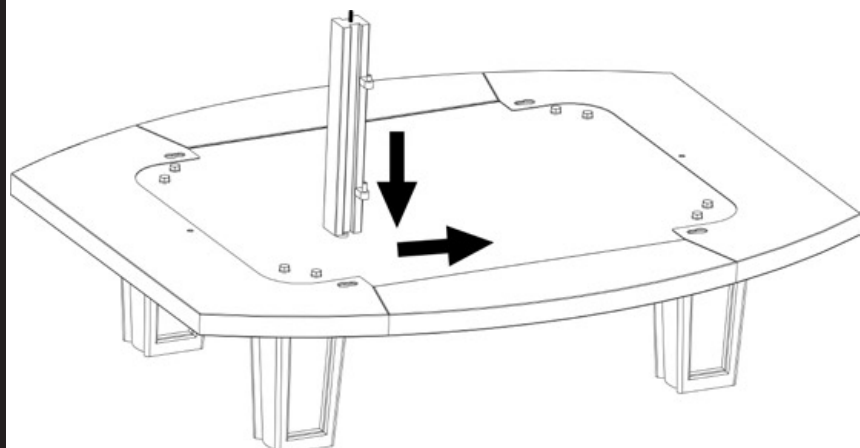
### Step 2 Attach left door rail

A. Locate the one rail that has (2) hinges.

B. Place hinged rail into front left slot.

Note: Hinges on rail must be facing up and forward.

C. Once rail is in slot, slide it to the right to lock in position.



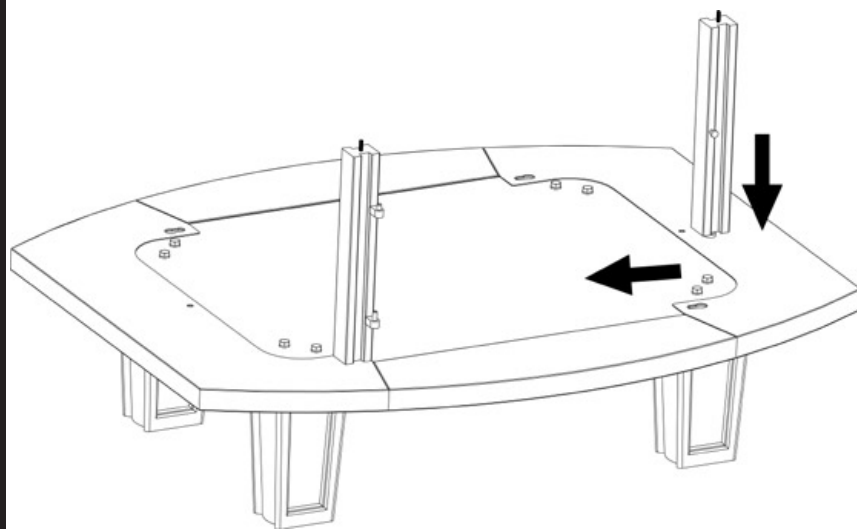
### Step 3 Attach right door rail

A. Locate the one rail that has (1) peg.

B. Place peg rail into front right slot.

Note: Peg on rail must be facing forward.

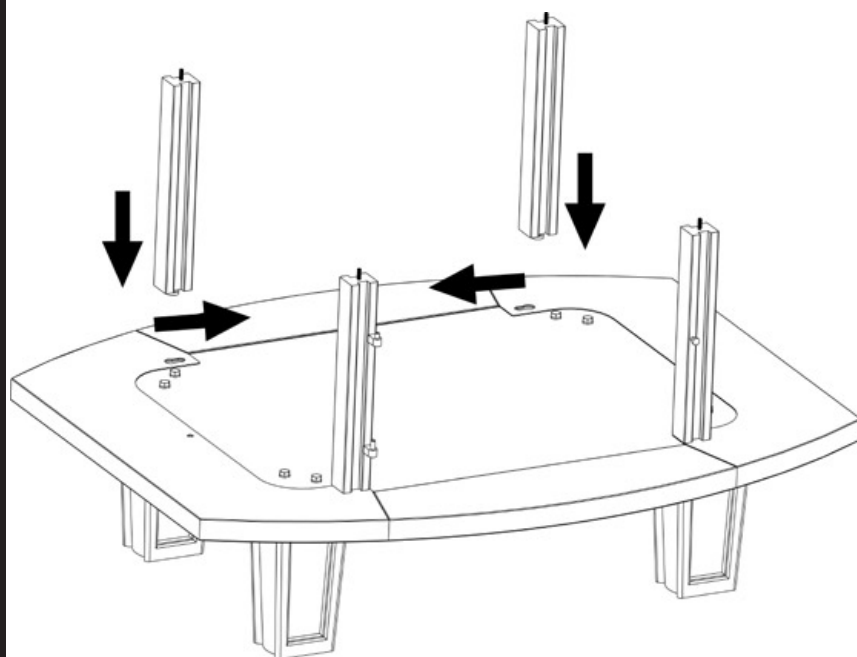
C. Once rail is in slot, slide it to the left to lock in position.



### Step 4 Attach rails

A. Insert back rails into slots in base.

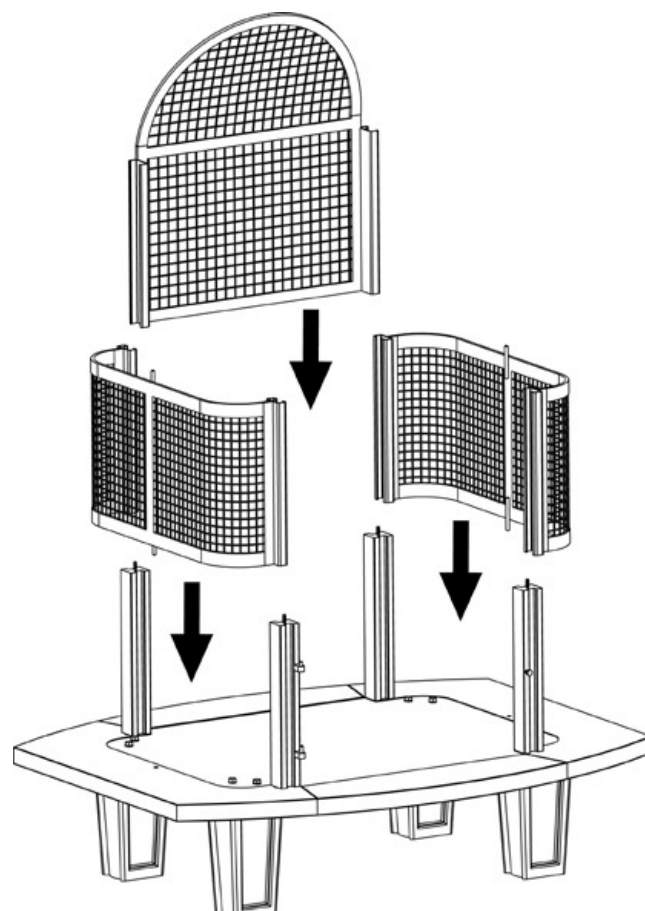
B. Slide rails into place.



### Step 5 Insert spark guards

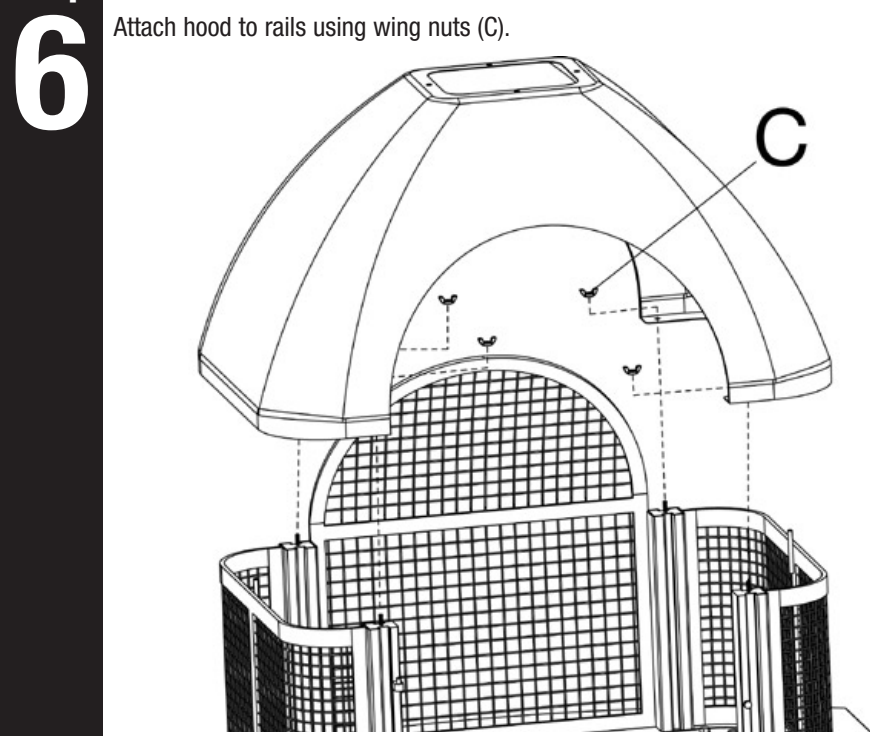
A. Slide back spark guard into slots in rail.

B. Slide side spark guards into slots in rail.



**Step 6 Attach hood**

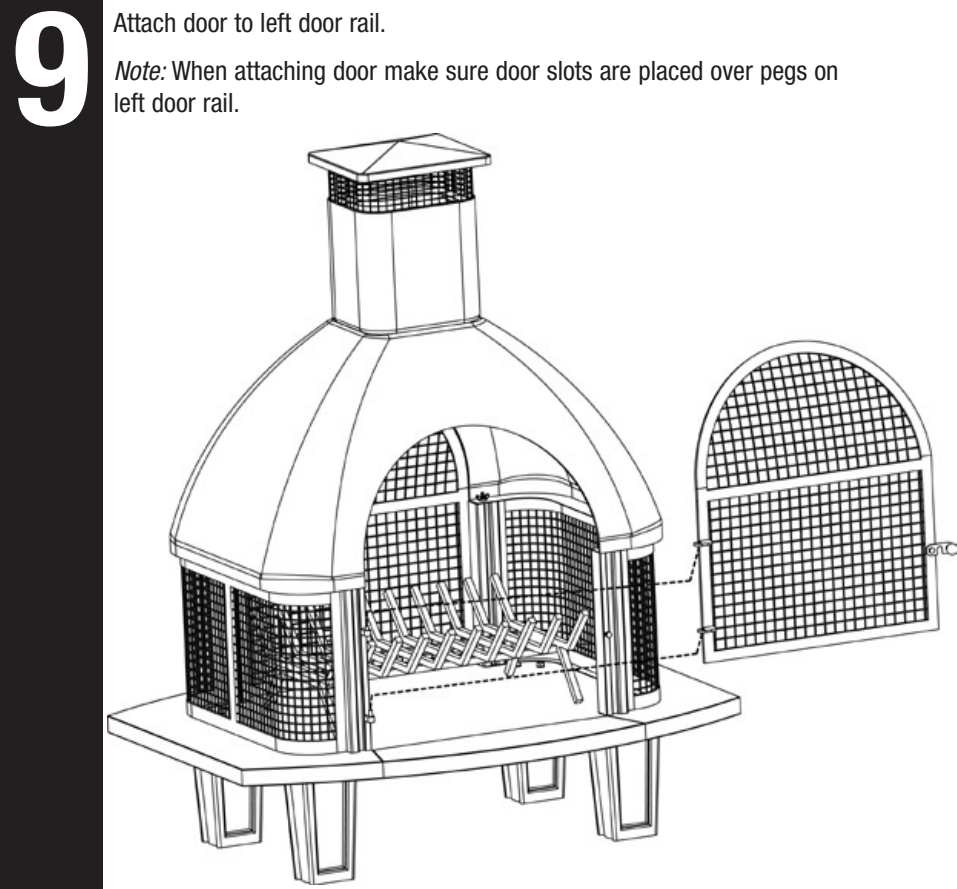
Attach hood to rails using wing nuts (C).



**Step 9 Attach door**

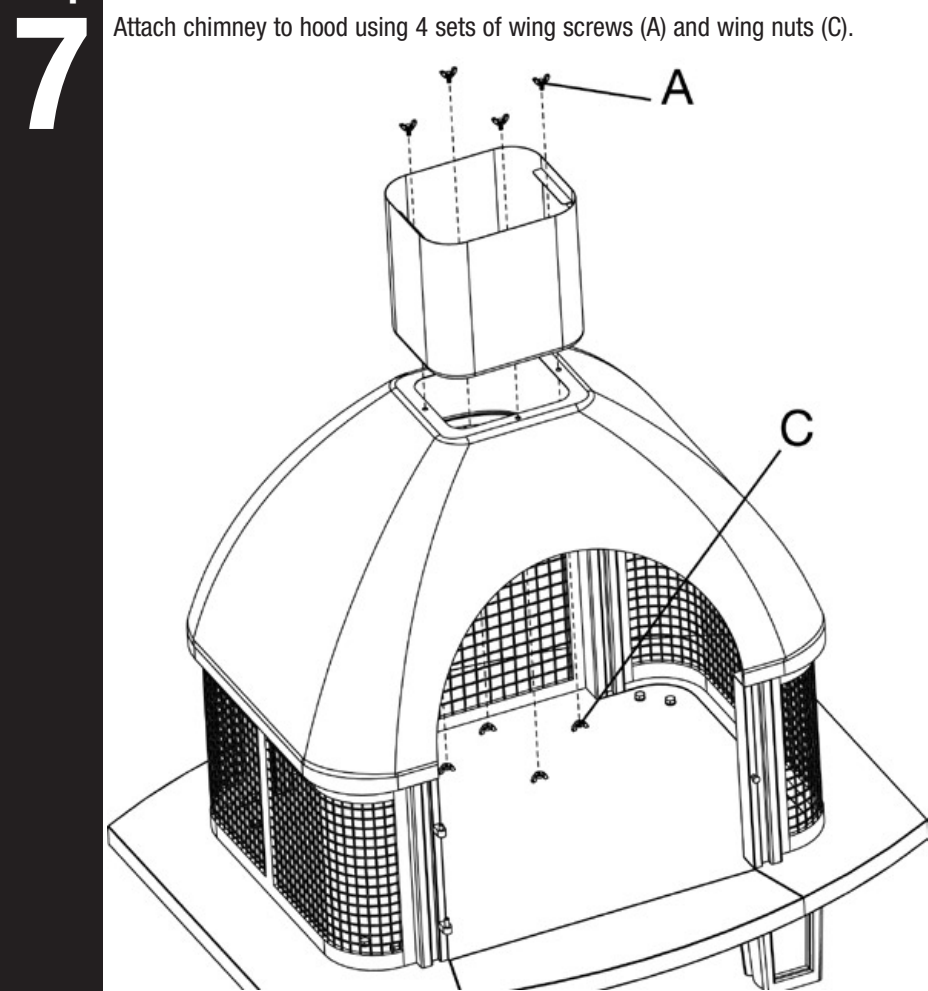
Attach door to left door rail.

*Note:* When attaching door make sure door slots are placed over pegs on left door rail.



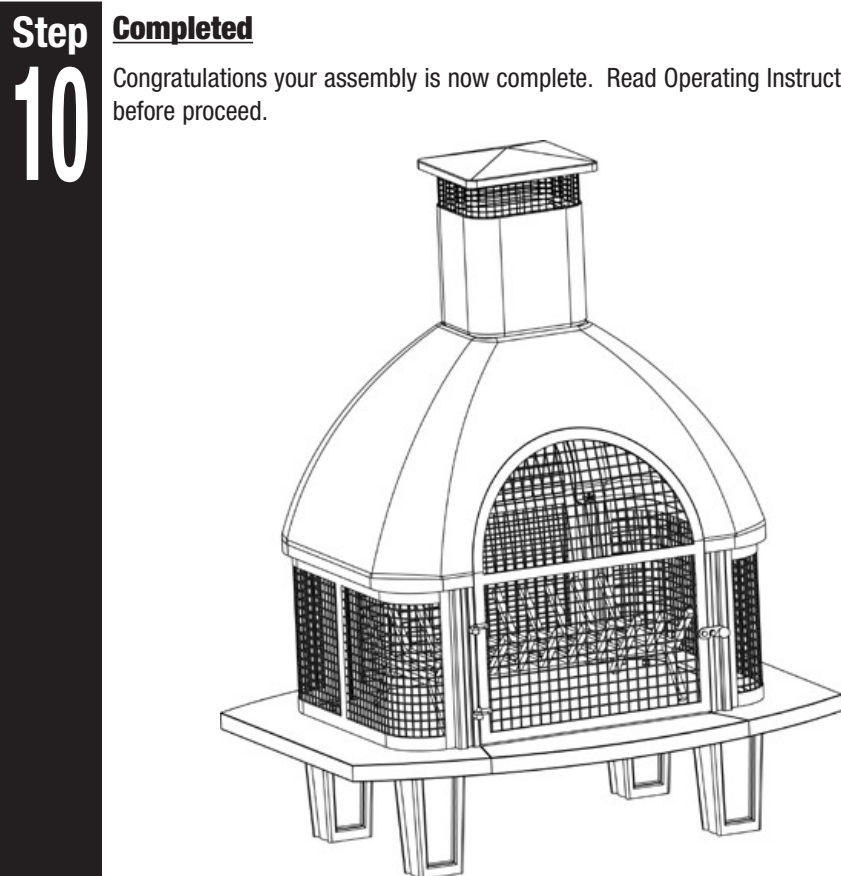
**Step 7 Attach chimney**

Attach chimney to hood using 4 sets of wing screws (A) and wing nuts (C).



**Step 10 Completed**

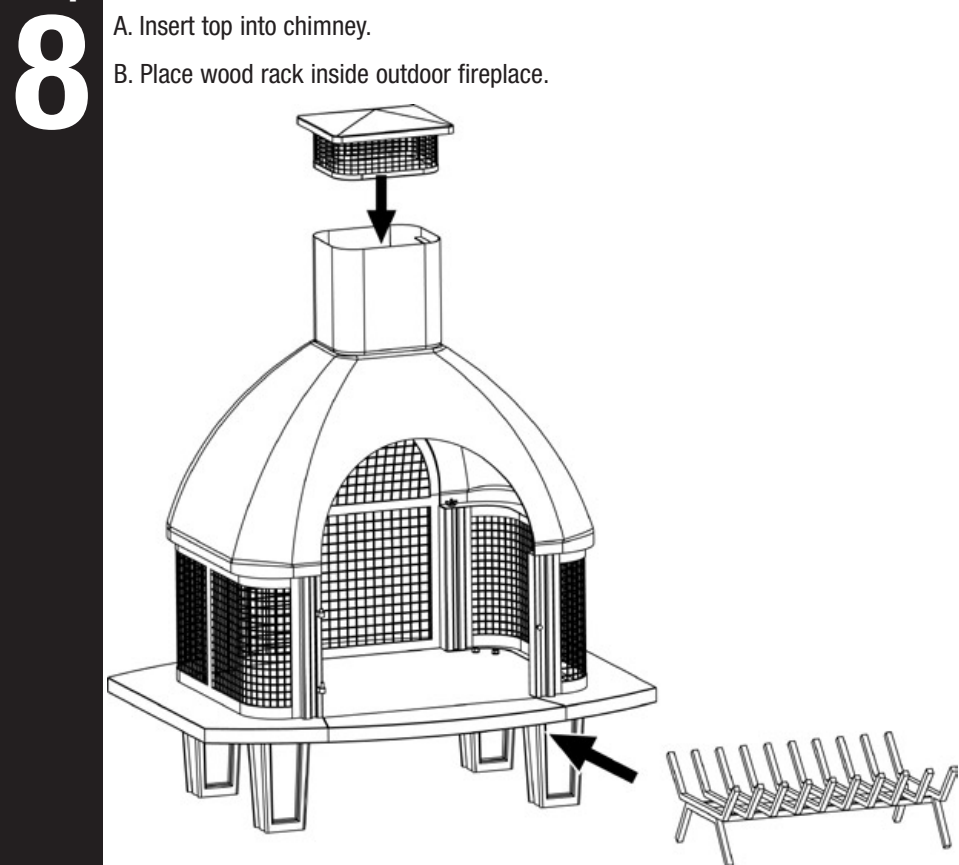
Congratulations your assembly is now complete. Read Operating Instructions before proceed.



**Step 8 Insert top and wood rack**

A. Insert top into chimney.

B. Place wood rack inside outdoor fireplace.



## Operating Instructions



### **WARNING** FOR YOUR SAFETY

**Before using this outdoor fireplace, make sure you have read, understand and are following all information provided in the Important Safeguards presented on page 1. Failure to follow those instructions can cause death, serious injury or property damage.**

### Lighting

1. Make sure there is only a small amount of ash in the bottom of the bowl.
2. Place a layer of dry kindling or a natural firestarter such as Fatwood™ onto the center of the grate.
3. Place above that a layer of dry seasoned hardwood that is cut to lengths no more than 14".
4. Use a match to light kindling or firestarter.
5. Close doors once the kindling or firestarter is lit.

### Tending the Fire

You may need to shift and/or add logs for an ideal experience.

#### Reminders:

- Always wear protective gloves or a pot holder when tending a fire.
  - Wait until glowing coals have developed before adding any additional wood.
  - Do NOT add gasoline, kerosene, diesel fuel, lighter fluid or alcohol to relight or enhance an existing fire.
1. Carefully open access door.
  2. While using a long handled fireplace tool, shift coals and logs to allow additional airflow.
  3. If additional wood is required, place wood on top coals. Be careful not to shift ashes.
  4. Close door.

### Extinguishing

1. Allow fire to burn itself out.
2. Do NOT use water to extinguish as this is dangerous and can cause damage to this outdoor fireplace.

## Cleaning & Care

### Inspecting

This outdoor fireplace should be inspected on a regular basis to ensure product safety and longer product life.

**Do NOT attempt to inspect this outdoor fireplace until the fire is COMPLETELY out.**

1. Check all parts to make sure they are secure.
2. Check base, hood, wood rack, door and spark guards for any signs of damage or rust.
3. If damage to any component is detected, do NOT operate until repairs are executed.

### Cleaning

This outdoor fireplace should be cleaned on a regular basis to promote safer experiences and longer product life.

*Note:* After repeated use, a discoloration of the finish will occur.

**Do NOT attempt to clean this outdoor fireplace until the fire is COMPLETELY out.**

**Do NOT use oven cleaner or abrasive cleaners as they will damage this product.**

**Do NOT clean any part of this outdoor fireplace in a self cleaning oven as it may damage the finish.**

**Do NOT use petroleum or alcohol based cleaners.**

#### Notice

1. Fireplace heat may initially cause copper's protective coating to darken.
2. You can restore copper look by using a scrub sponge, soap and water.
3. A scrub sponge has been included for initial cleaning.
4. Exposed copper will naturally age to a patina.
5. Enjoy the aged look as it develops.

1. Wipe exterior surfaces with a mild dishwashing detergent or baking soda.
2. For stubborn surfaces use a citrus based degreaser and a nylon scrubbing brush.
3. Rinse clean with water.
4. Remove built-up creosote from base, hood and spark guards with a chimney cleaning product.

### Storage

**Do NOT move or store this outdoor fireplace until the fire is COMPLETELY out.**

1. Once the fire is out, coals are cold and outdoor fireplace is cool to the touch, remove ashes and properly dispose.
2. Cover outdoor fireplace with a durable vinyl cover designed to fit this unit.
3. Store assembled in a location away from children and pets.

*Note:* If you do not use a cover, store this outdoor fireplace in a dry location to maximize product life.

## Product Registration

Please register your product immediately at [www.BlueRhino.com](http://www.BlueRhino.com) or call 1.800.762.1142.

## Limited Warranty

Blue Rhino Global Sourcing, LLC ("Vendor") warrants to the original retail purchaser of this outdoor fireplace, and to no other person, that if this outdoor fireplace is assembled and operated in accordance with the printed instructions accompanying it, then for a period of one (1) year from the date of purchase, all parts in such outdoor fireplace shall be free from defects in material and workmanship. Vendor may require reasonable proof of your date of purchase. Therefore, you should retain your sales slip or invoice. This Limited Warranty shall be limited to the repair or replacement of parts, which prove defective under normal use and service and which Vendor shall determine in its reasonable discretion upon examination to be defective. Before returning any parts, you should contact Vendor's Customer Service Department using the contact information listed below. If Vendor confirms, after examination, a defect covered by this Limited Warranty in any returned part, and if Vendor approves the claim, Vendor will replace such defective part without charge. If you return defective parts, transportation charges must be prepaid by you. Vendor will return replacement parts to the original retail purchaser, freight or postage prepaid.

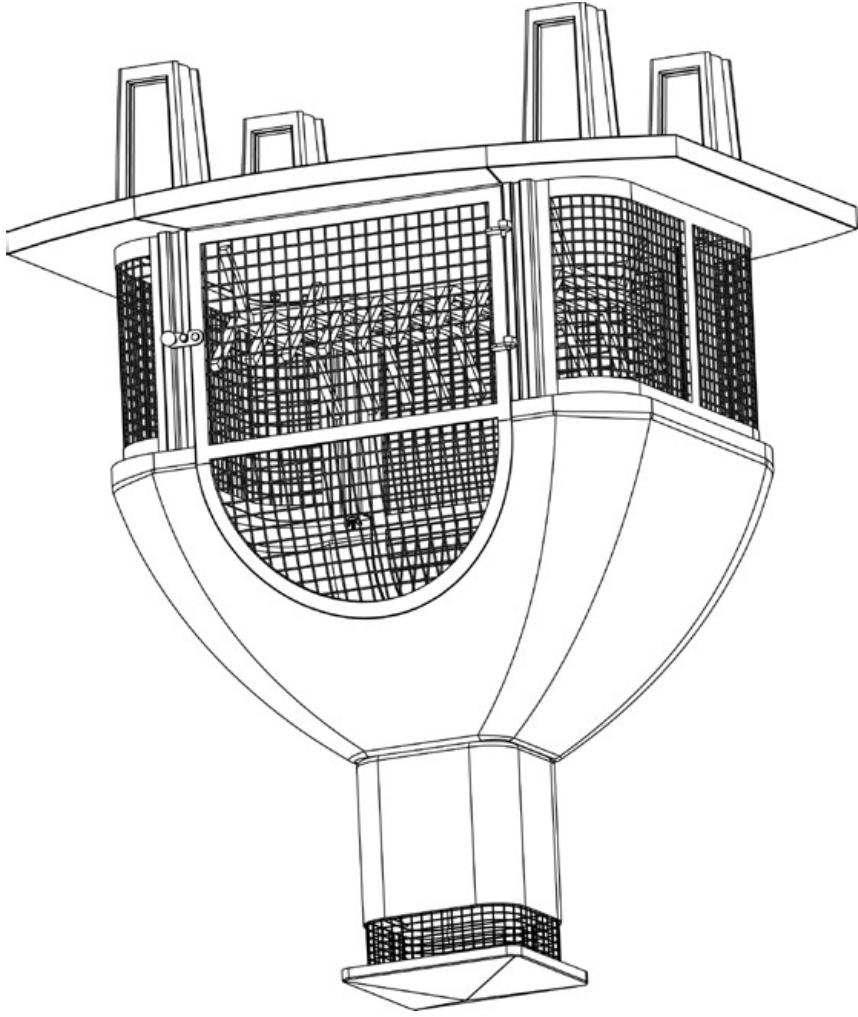
This Limited Warranty does not cover any failures or operating difficulties due to accident, abuse, misuse, alteration, misapplication, improper installation or improper maintenance or service by you or any third party, or failure to perform normal and routine maintenance on the outdoor fireplace, as set out in this owner's manual.

This Limited Warranty is in lieu of all other express warranties. Vendor disclaims all warranties for products that are purchased from sellers other than authorized retailers or distributors, including the warranty of merchantability or the warranty of fitness for a particular purpose. VENDOR ALSO DISCLAIMS AND ANY ALL IMPLIED WARRANTIES, INCLUDING WITHOUT LIMITATION THE IMPLIED WARRANTIES OF MERCHANTABILITY AND FITNESS FOR A PARTICULAR PURPOSE. VENDOR SHALL NO LIABILITY TO PURCHASER OR ANY THIRD PARTY FOR ANY SPECIAL, INDIRECT, PUNITIVE, INCIDENTAL, OR CONSEQUENTIAL DAMAGES. Vendor further disclaims any implied or express warranty of, and assumes no responsibility for, defects in workmanship caused by third parties. This Limited Warranty gives the purchaser specific legal rights; a purchaser may have other rights depending upon where he or she lives. Some jurisdictions do not allow the exclusion or limitation of special, incidental or consequential damages, or limitations on how long a warranty lasts, so the above exclusion and limitations may not apply to everyone.

Vendor does not authorize any person or company to assume for it any other obligation or liability in connection with the sale, installation, use, removal, return, or replacement of its equipment, and no such representations are binding on Vendor.

Blue Rhino Global Sourcing, LLC  
104 Cambridge Plaza Drive  
Winston-Salem, North Carolina 27104 USA  
(800) 762-1142  
24 Hour Fax: (336) 659-6743  
CustomerService@BlueRhino.com

## Foyer extérieur Modèle no 255635



**Avis:**

1. La chaineur du foyer extérieur risque de décolorer la couche protectrice du cuivre et de la rendre plus foncée.
2. Restaurer l'apparence du cuivre en utilisant une éponge à récureur, du savon et de l'eau.
3. Une éponge à récureur est fournie pour le premier nettoyage.
4. Le cuivre apparent vieillera en se transformant en une patine naturelle.
5. Son apparence patinée deviendra de plus en plus belle avec l'âge.

### Table des matières

Consignes de sécurité importantes .....	1
Vue éclatée des pièces et quincaillerie .....	2
Directives d'assemblage .....	3
Utilisation .....	5
Allumer le foyer extérieur .....	5
Entretien le feu .....	5
Éteindre le feu .....	5
Nettoyage et entretien .....	5
Inspecter le foyer extérieur .....	5
Nettoyer le foyer extérieur .....	5
Remiser le foyer extérieur .....	5
Enregistrement de l'appareil .....	5
Garantie limitée .....	5

**MISE EN GARDE**

**POUR VOTRE SÉCURITÉ:**

Pour usage à l'extérieur seulement  
(hors de tout abri clos)

**MISE EN GARDE**

**POUR VOTRE SÉCURITÉ:**

1. Toute installation défectueuse ou modification incorrecte ainsi que tout mauvais réglage ou entretien incorrect risque d'entraîner des blessures ou des dégâts matériels.
2. Lire complètement les instructions d'installation, d'utilisation et d'entretien avant de procéder à la maintenance de l'appareil ou de procéder à son entretien.
3. Le non-respect de ces consignes risque de provoquer un incendie ou une explosion et entraîner des dégâts matériels, des blessures graves voire la mort.

Conservez ces instructions afin de pouvoir les consulter ultérieurement. Si vous êtes en train d'assembler cet appareil pour une autre personne, veuillez lui fournir le manuel afin qu'elle puisse le lire et le consulter plus tard.



**POUR VOTRE SÉCURITÉ:**

**MISE EN GARDE**

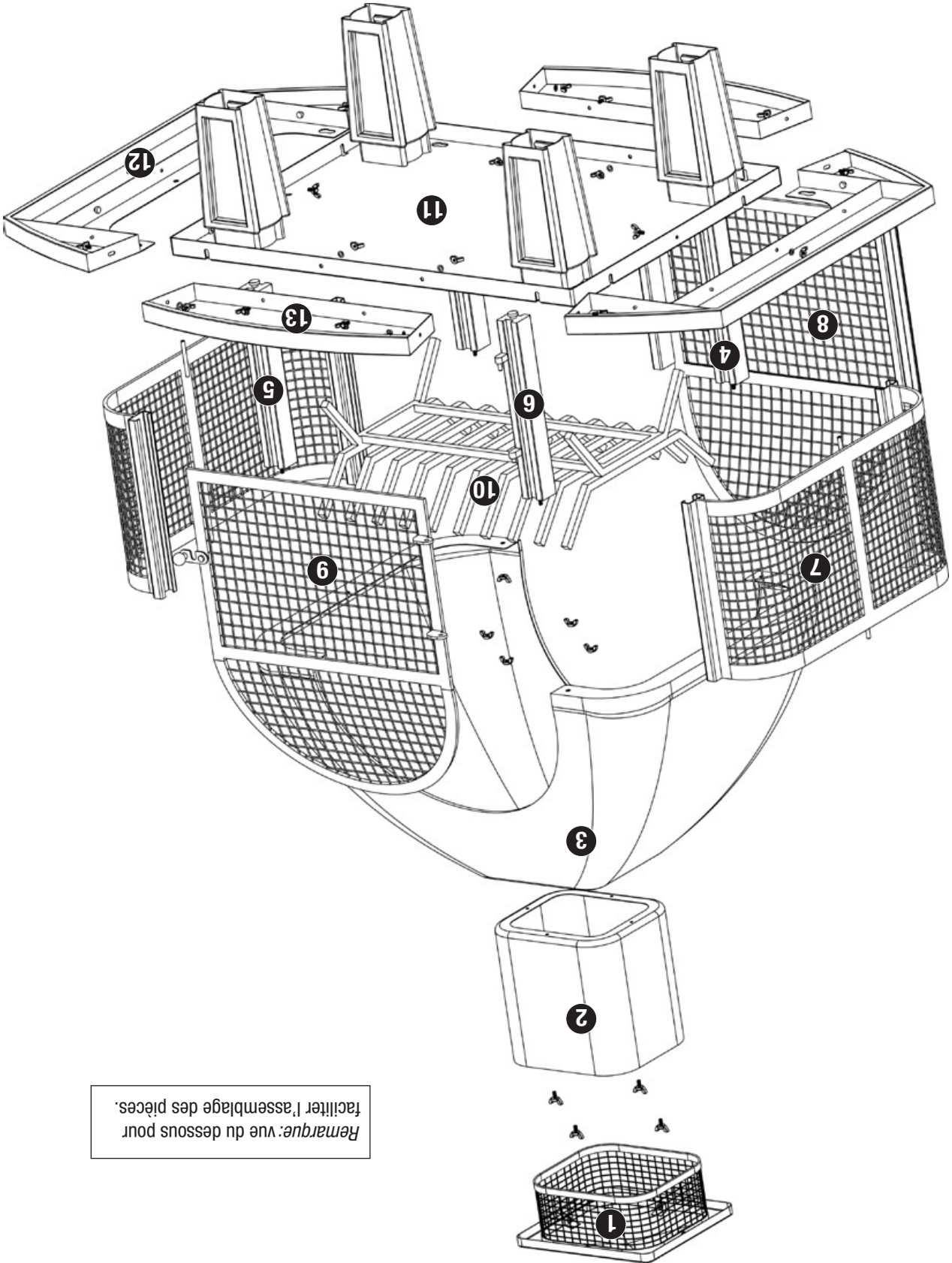
1. Ce foyer extérieur doit être utilisé uniquement à l'extérieur et ne doit PAS être utilisé dans un immeuble, un garage ou tout autre abri clos.
2. N'utilisez pas le foyer extérieur pour vous chauffer ou pour cuisiner à l'intérieur d'une maison. Des émanations TOXIQUES de monoxyde de carbone peuvent s'accumuler et provoquer l'asphyxie.
3. Ce foyer extérieur N'est PAS destiné à un usage commercial.
4. Ce foyer extérieur NE doit pas être utilisé par des enfants.
5. NE PAS installer ni utiliser le foyer extérieur à bord d'un bateau ou d'un véhicule récréatif.
6. Veillez à toujours utiliser le foyer extérieur conformément aux codes locaux, aux codes de l'état ou de la province ainsi qu'aux codes nationaux. Contactez les pompiers et les services de lutte contre les incendies pour de plus amples informations concernant l'incinération à l'extérieur et la prévention des incendies.
7. Faites preuve des mêmes précautions que lorsque vous avez affaire à un feu normal en plein air.
8. La prise d'alcool, de médicaments ou de drogues risque de nuire à l'aptitude de l'utilisateur à assembler ou à utiliser le foyer extérieur en toute sécurité.
9. N'utilisez PAS ce foyer extérieur avant de lire les instructions d'utilisation de ce manuel.
10. Veillez à toujours utiliser du bois sec avec ce foyer extérieur. En effet, le bois sec brûlera plus chaud et d'une manière plus complète en provoquant moins de fumée
11. N'utilisez PAS le foyer afin de brûler des briquettes de charbon de bois, du charbon, des bûches en bois d'aggloméré, du bois ayant séjourné dans l'eau, des ordures, des feuilles, du papier, du carton ou du contreplaqué. Évitez d'utiliser du bois tendre tel que du pin car il risque de provoquer des étincelles.
12. Ne modifiez en aucune façon ce foyer extérieur.
13. N'utilisez PAS le foyer extérieur à moins qu'il ne soit complètement assemblé et que les pièces ne soient toutes fixées et serrées.
14. Ne PAS utiliser ni stocker d'essence ou de liquides et autres vapeurs inflammables à proximité de cet appareil ou de tout autre appareil.
15. Ne remisez PAS une bonne propane à moins de 10 pieds (3,05 mètres) du foyer extérieur lorsqu'il est utilisé.
16. N'utilisez PAS le foyer extérieur à proximité de voitures, camions, camionnettes ou véhicules récréatifs.
17. N'utilisez PAS le foyer extérieur en présence de vapeurs et émanations explosives. Veillez à ce que la zone autour du foyer demeure dégagée et dépourvue de matières combustibles, d'essence et d'autres liquides et vapeurs inflammables.
18. N'utilisez PAS ce foyer extérieur sous un abri, une structure suspendue ou en saillie ou à proximité de toute construction combustible non-protégée. Évitez de l'utiliser à proximité ou sous des arbres ou des buissons.
19. Placez toujours le foyer extérieur sur une surface plane, dure et non-combustible telle que du béton ou de la pierre. Il est déconseillé de le placer sur de l'asphalte ou du bitume. NE PAS le placer sur une terrasse en bois.
20. Veillez à toujours vider le foyer extérieur avant chaque utilisation.
21. Laissez toujours une fine pellicule de cendre afin de protéger le fond du foyer extérieur.
22. Veillez à ne PAS porter de vêtements inflammables lorsque vous utilisez le foyer extérieur.

22. N'utilisez PAS le foyer extérieur par grand vent.
23. N'utilisez PAS le foyer extérieur si les panneaux de protection contre les étincelles ne sont pas correctement installés.
24. N'utilisez PAS de liquides inflammables tels que l'essence, l'alcool, le carburant diesel, le kérosène ou le liquide allume-barbecue pour allumer ou rallumer le feu.
25. Veillez à ce que les câbles et cordons électriques demeurent toujours loin du foyer extérieur lorsqu'il est chaud.
26. Toute la surface du foyer extérieur est chaude lorsqu'il fonctionne. Pour éviter tout risque de brûlure, NE touchez PAS le foyer extérieur avant qu'il n'ait complètement refroidi à moins de porter des vêtements de protection (gants, maniques, attirail de barbecue, etc.). Ne touchez jamais les cendres ni les braises afin de vérifier si elles sont chaudes.
27. Ne laissez jamais un foyer extérieur sans surveillance surtout si des enfants ou des animaux domestiques ou de compagnie sont à proximité.
28. Ne tentez PAS de déplacer ou de remettre le foyer extérieur avant que les cendres ou les braises ne soient complètement éteintes.
29. Ne retirez PAS les cendres ni les braises avant qu'elles ne soient complètement éteintes.
30. Utilisez des gants résistants à la chaleur ou des maniques lorsque vous utilisez les poignées ou les volets d'aération.
31. Utilisez des accessoires de foyer ou de cheminée longs et résistants lorsque vous ajoutez ou déplacez des bûches.
32. Ne placez PAS le bois directement dans le fond du foyer extérieur. Placez le bois uniquement sur la plaque ou la grille réservée à cet effet. NE chargez PAS le bois dans la cheminée si ce modèle en possède une.
33. NE PAS trop charger le foyer. Ne rajoutez pas de bois avant que le feu ait diminué. **AVIS:** Si une partie quelconque du socle, de la hotte ou des pare-étincelles du foyer extérieur sont rougeoiants, vous l'avez trop chargé.
34. Assurez-vous que les toutes les portes peuvent être fermées complètement avant d'allumer le feu.
35. Ne vous penchez PAS au-dessus du foyer extérieur lorsque vous l'allumez ou s'il est déjà allumé.
36. Ne laissez PAS un pare-étincelles chaud ou un accessoire de foyer chaud reposer sur une surface combustible telle que de l'herbe, le plancher de votre terrasse en bois ou sur un meuble.
37. Évitez de respirer la fumée du foyer extérieur et évitez tout contact avec les yeux.
38. Ce foyer extérieur doit être vérifié et nettoyé en entier régulièrement.
39. Après une période de remisage ou si le foyer extérieur n'a pas été utilisé pour une certaine période, assurez-vous que le foyer n'est pas endommagé et ne présente pas de traces de créosote. NE PAS utiliser le foyer extérieur s'il s'avère nécessaire de le réparer ou de le nettoyer.
40. Utilisez uniquement des pièces agréées de l'usine Blue Rhino Global Sourcing, LLC. L'emploi de toute pièce non agréée peut être dangereuse et entraînera l'annulation de la garantie.
41. Les consignes ci-dessus doivent être strictement respectées et le non-respect de ces consignes risque de provoquer des dégâts matériels ou d'entraîner des blessures graves voire la mort.



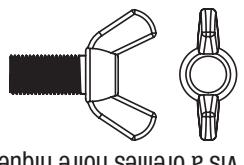
**Vue éclatée**

- 1. Chapeau..... 56-01-300
- 2. Cheminée..... 56-01-301
- 3. Hotte..... 56-01-302
- 4. Rail arrière (2)..... 56-01-303
- 5. Rail droit de la porte..... 56-01-304
- 6. Rail gauche de la porte..... 56-01-305
- 7. Pare-étincelles latéral (2)..... 56-01-306
- 8. Pare-étincelles arrière..... 56-01-307
- 9. Porte..... 56-01-308
- 10. Porte-bûches..... 56-01-309
- 11. Socle..... 56-01-310
- 12. Support latéral (2)..... 56-01-311
- 13. Plaque de l'âtre (2)..... 56-01-312



Remarque: vue du dessous pour faciliter l'assemblage des pièces.

**Pièces de quincaillerie / Taille réelle**



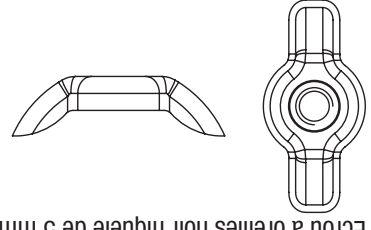
A. Vis à oreilles  
Vis à oreilles noire niquelée M5X10

14



B. Rondelle  
Rondelle noire niquelée de 5 mm de diamètre

10



C. Écrou à oreilles  
Écrou à oreilles noir niquelé de 5 mm de diamètre

18

**Directives D'assemblage**

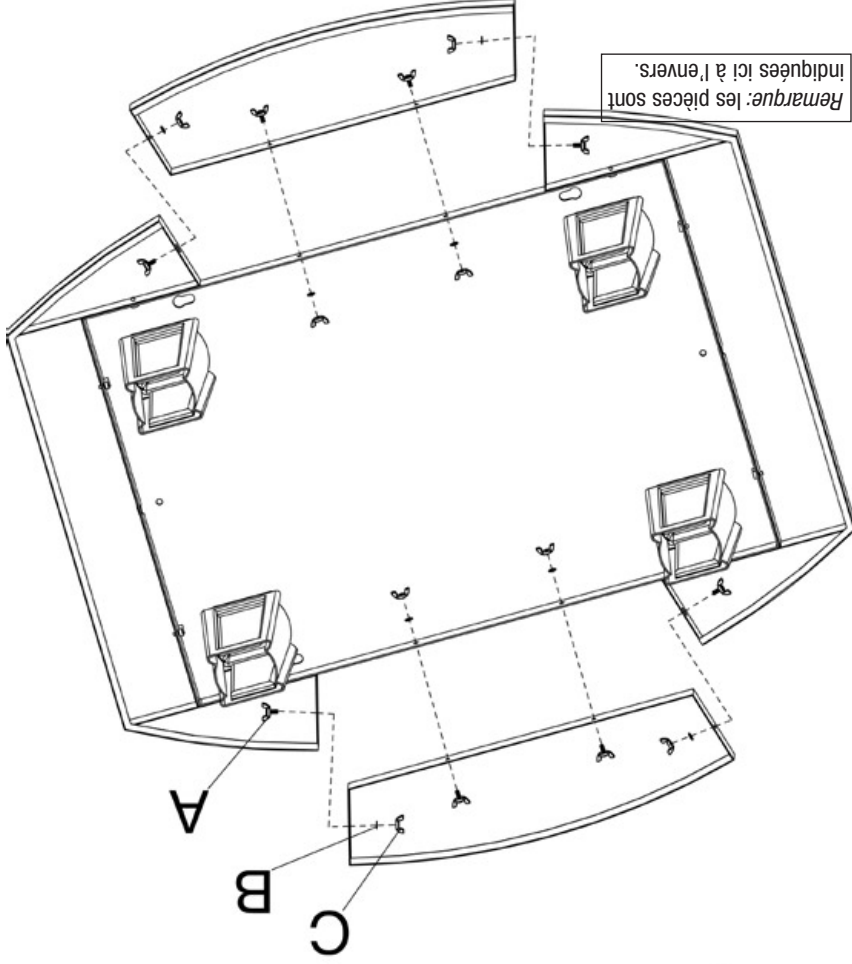
**NE PAS RETOURNER AU MAGASIN AVEC CET ARTICLE.** Pour toute assistance technique, appelez le numéro sans frais 1.800.762.1142. Faites en sorte que votre manuel d'utilisation et le numéro de série soient à portée de main afin de pouvoir vous y référer.

- Pour faciliter l'installation:
- Pour éviter de perdre des petites pièces ou la quincaillerie d'installation, assemblez cet article sur une surface dure et plane qui ne comporte pas de trous ou de fissures.
  - Prévoyez une surface de travail suffisamment grande afin d'étaler toutes les pièces et la quincaillerie d'installation.
  - Lorsque nécessaire, serrez toute les fixations et la visserie en premier, puis une fois l'étape terminée, serrez-les à bloc.
  - Suivez toutes les étapes dans l'ordre afin d'assembler correctement cet article.

**Étape 1**

**Fixer les plaques de l'âtre**

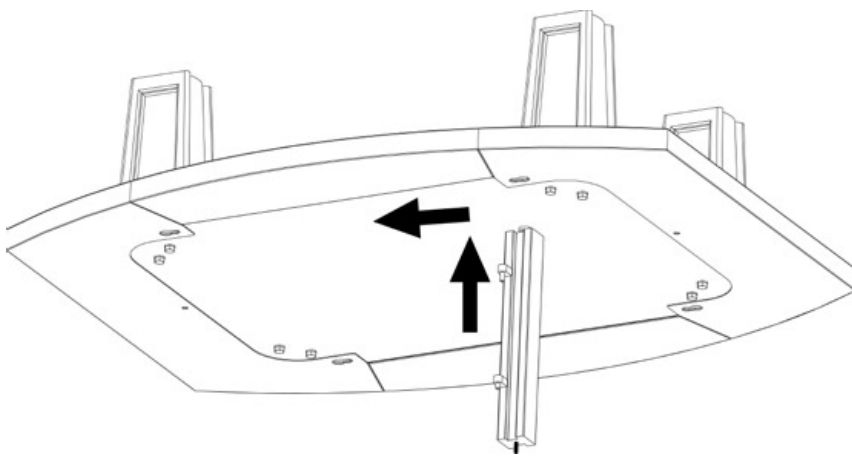
- A. Placez les supports latéraux au socle.  
 B. Fixez les plaques de l'âtre au socle et aux supports latéraux en utilisant huit vis à oreilles (A), huit rondelles (B) et huit écrous à oreilles (C).  
 Remarque: les pièces sont indiquées ici à l'envers.



**Étape 2**

**Fixer le rail gauche de la porte**

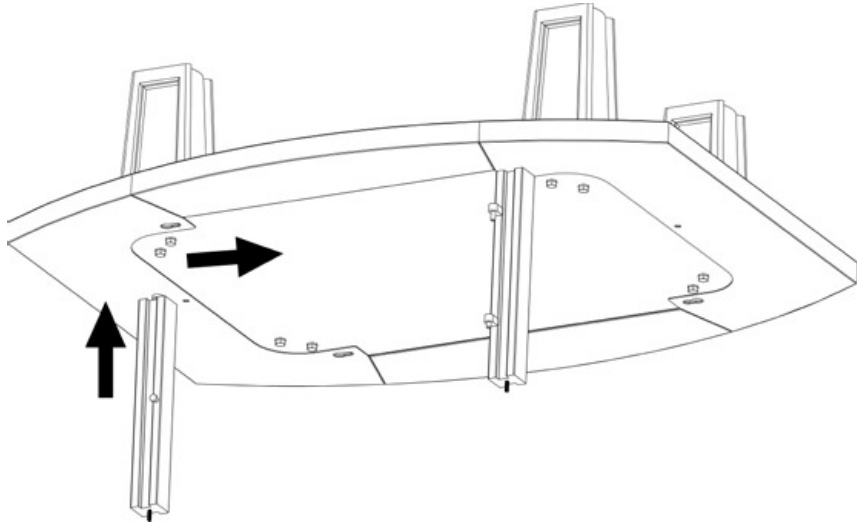
- A. Déterminez l'emplacement du rail qui possède deux charnières.  
 B. Placez le rail à charnière dans la fente gauche avant.  
 C. Après avoir inséré le rail dans la fente, glissez-le vers la droite afin de le fixer.  
 Remarque: les charnières du rail doivent être orientées vers le haut et vers l'avant.



**Étape 3**

**Fixer le rail droit de la porte**

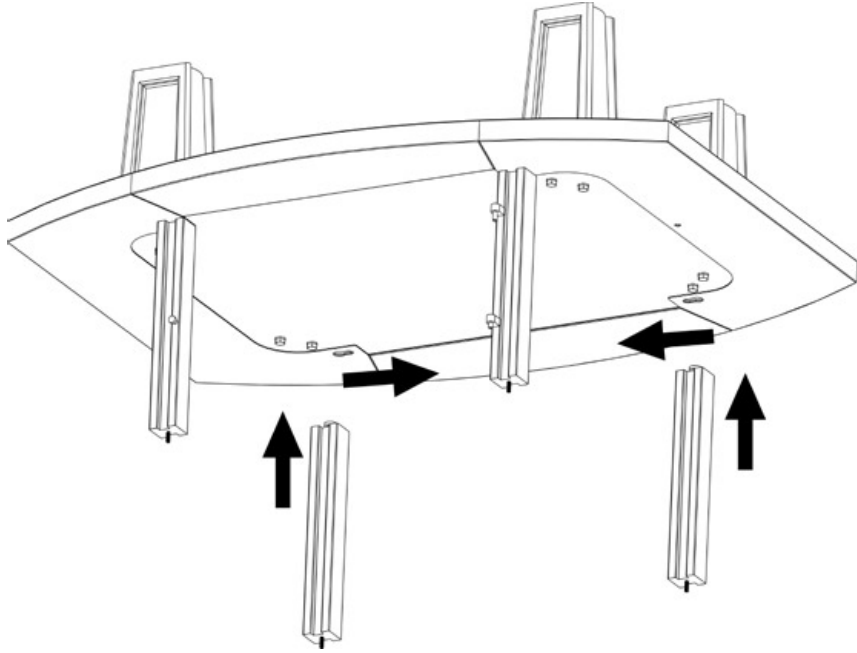
- A. Déterminez l'emplacement du rail qui possède une cheville.  
 B. Placez la cheville du rail dans la fente droite avant.  
 C. Après avoir inséré le rail dans la fente, glissez-le vers la gauche afin de le fixer.  
 Remarque: la cheville du rail doit être orientée vers l'avant.



**Étape 4**

**Fixer les rails**

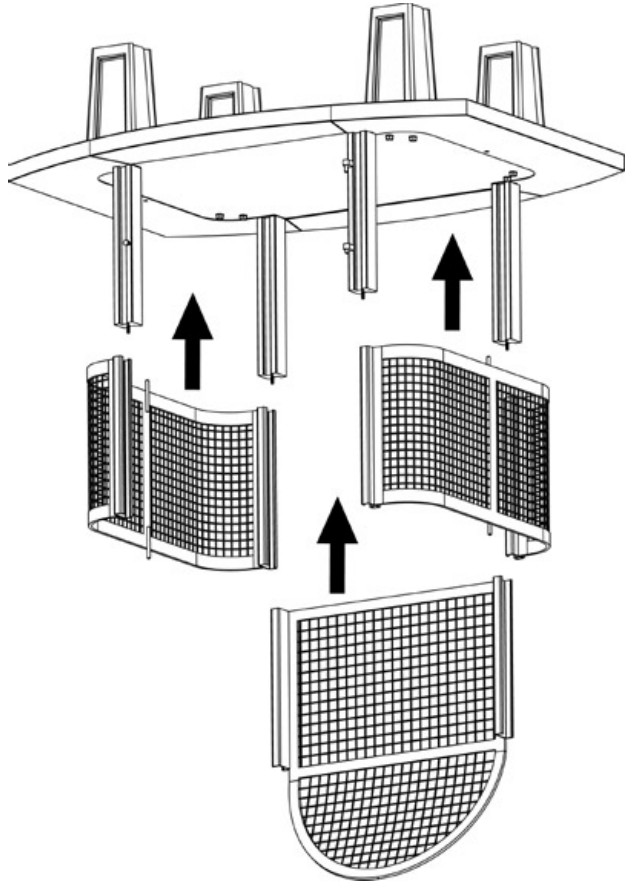
- A. Insérez les rails arrière dans les fentes du socle.  
 B. Glissez les rails en place.



**Étape 5**

**Insérer les pare-étincelles**

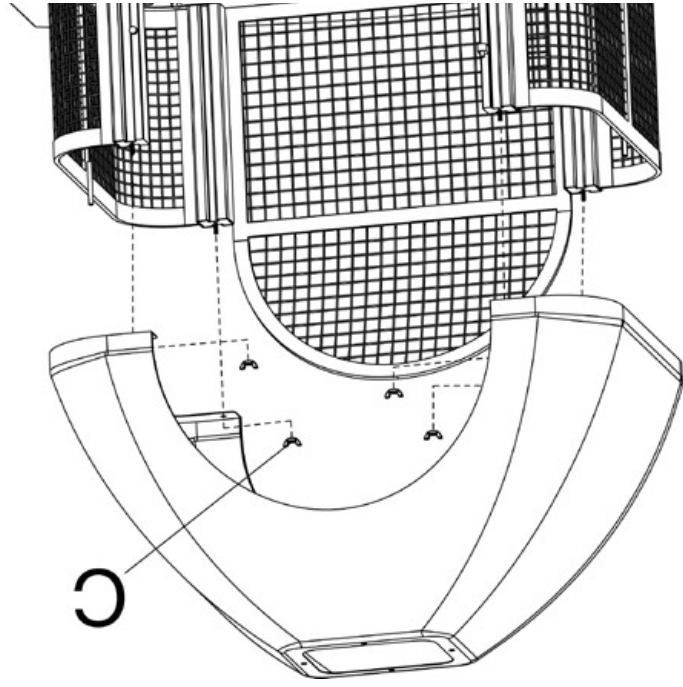
- A. Glissez le pare-étincelles arrière dans les fentes du rail.  
 B. Glissez les pare-étincelles latéraux dans les fentes du rail.



**6**  
Étape

**Fixer la hotte**

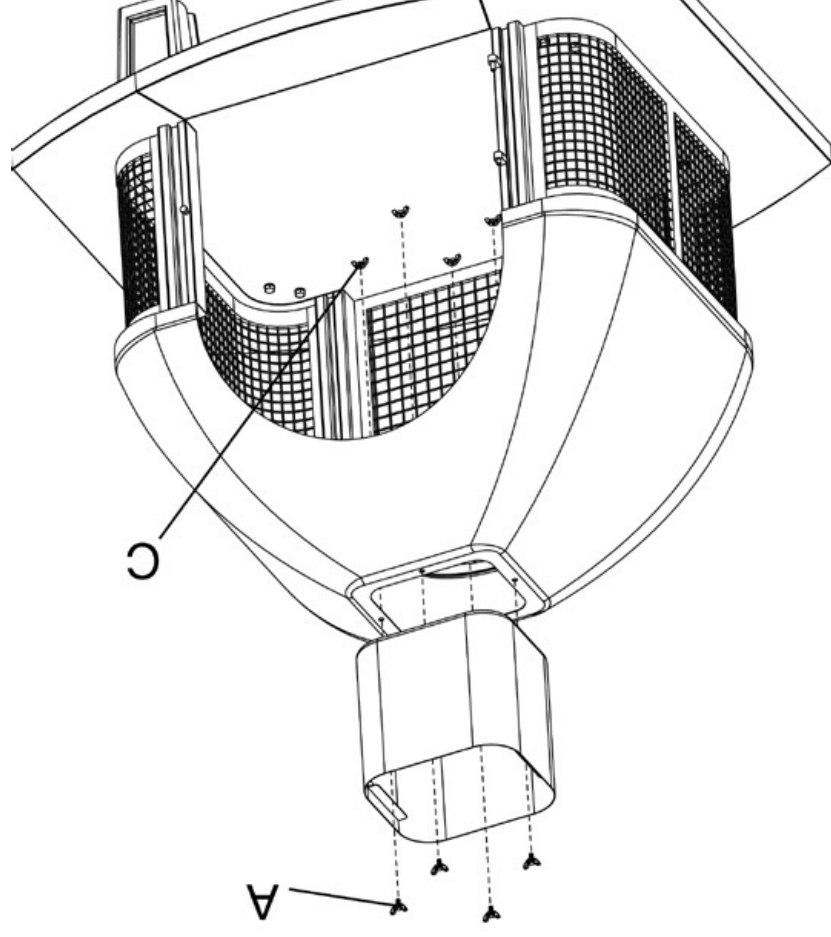
Fixez la hotte aux rails en utilisant les écrous à oreilles (C).



**7**  
Étape

**Fixer la cheminée**

Fixez la cheminée à la hotte en utilisant quatre vis à oreilles (A) et quatre écrous à oreilles (C).

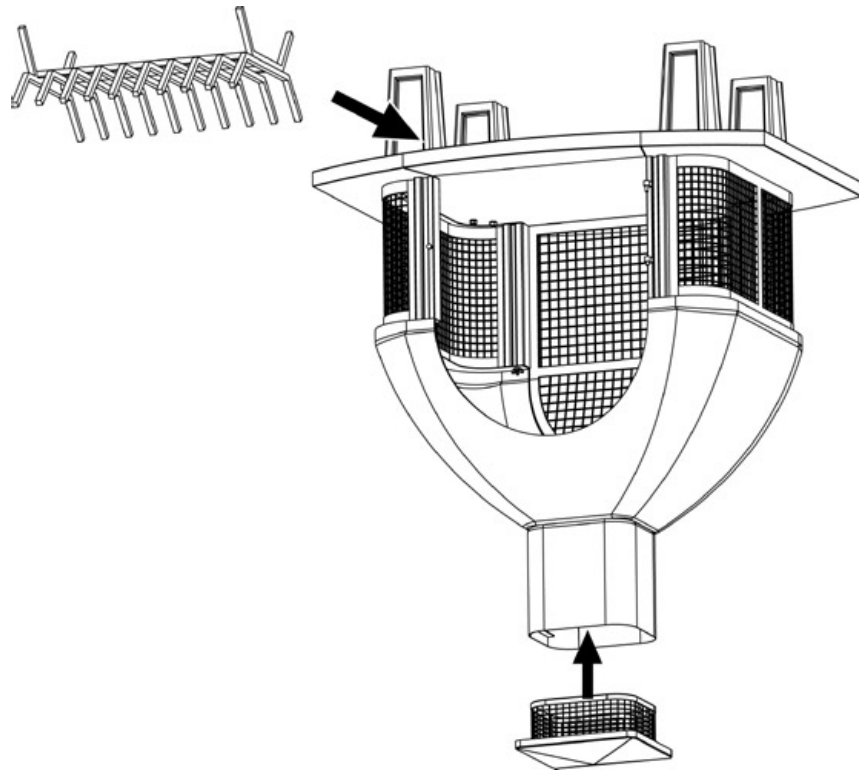


**8**  
Étape

**Installer le chapeau de la cheminée et le porte-bûches**

A. Insérez le chapeau dans la cheminée.

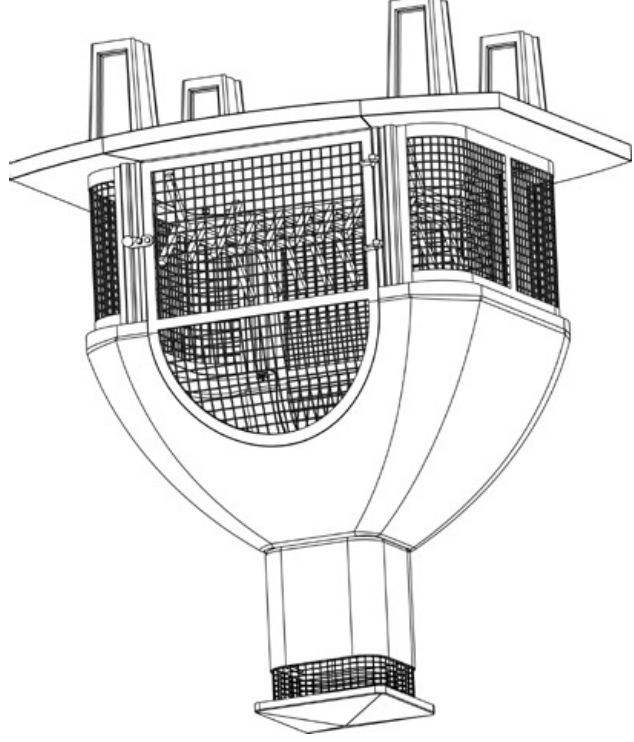
B. Placez le porte-bûches à l'intérieur du foyer.



**10**  
Étape

**Le foyer extérieur est complètement assemblé**

Félicitations, vous venez de terminer l'assemblage du foyer extérieur. Veuillez lire les instructions d'utilisation avant de pourvoir.

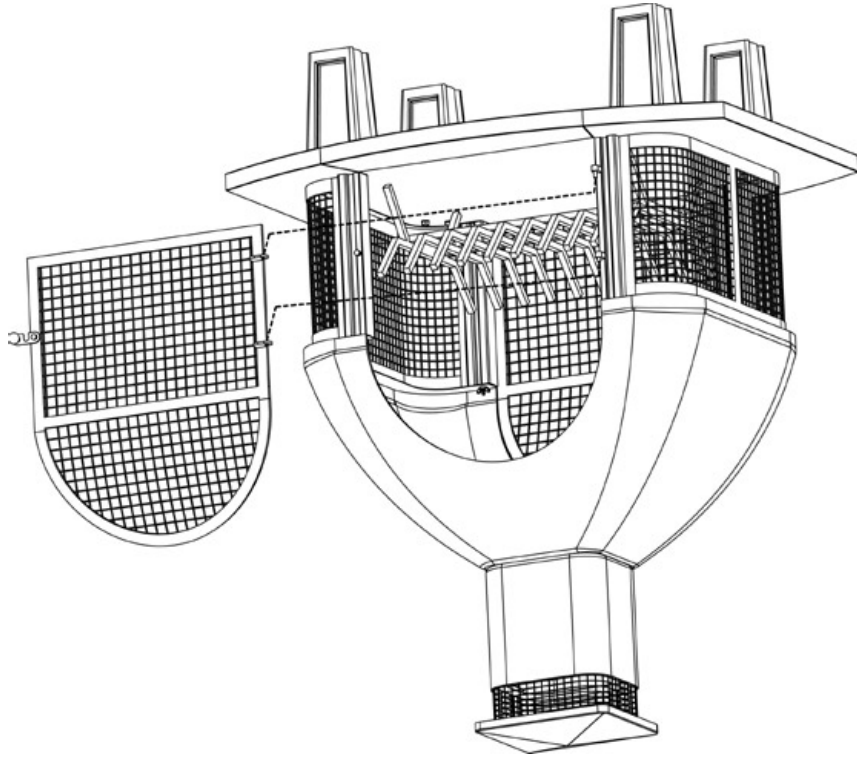


**9**  
Étape

**Fixer la porte**

Fixez la porte au rail gauche.

Remarque: lorsque vous fixez la porte, assurez-vous que les fentes de la porte sont placées par-dessus les chevilles du rail gauche.



## Instrucciones de Operación



**Avant d'utiliser le foyer extérieur, veuillez lire, comprendre et suivre**

**toutes les informations figurant dans les Consignes de sécurité**

**importantes de la page 1. Le non-respect de ces consignes risque de provoquer des dégâts matériels, des blessures graves voire la mort.**

## MISE EN GARDE POUR VOTRE SÉCURITÉ:

1. Assurez-vous qu'il ne reste qu'une petite quantité de cendre au fond du foyer extérieur.

2. Placez une couche de brindilles sèches ou un allume-feu naturel tel que du Fatwood™ au centre de la grille.

3. Placez au-dessus de cette couche du bois sec dont la longueur ne dépassera 14 po. (35,5 cm).

4. Utilisez une allumette pour mettre le feu aux brindilles ou l'allume-feu.

5. Fermez les petites portes afin que les brindilles ou l'allume-feu puisse s'enflammer.

### Entretien le feu

Vous devrez probablement déplacer et/ou ajouter quelques bûches pour une chaleur optimale.

Ne pas oublier:

- Veuillez à toujours porter des gants ou des maniques lorsque vous entreenez le feu.

- Attendez que des braises se soient formées avant de rajouter du bois.

- N'utilisez PAS de liquides inflammables tels que l'essence, l'alcool, le carburant diesel, le kérosène ou le liquide allume-barbecue pour allumer ou rallumer le feu.

1. Ouvrez la porte d'accès avec précaution.

2. Utilisez un accessoire de foyer à long manche pour déplacer des braises ou des bûches afin d'améliorer le passage de l'air.

3. Si vous devez rajouter du bois, placez le bois sur les braises. Faites attention à ne pas déplacer les cendres.

### Éteindre le foyer extérieur

1. Laissez le feu s'éteindre de lui-même.

2. Veillez à NE PAS utiliser d'eau pour éteindre le feu car vous risquez d'endommager le foyer extérieur.

## Nettoyage et entretien

### Inspecter le foyer extérieur

Ce foyer extérieur doit être vérifié régulièrement pour qu'il fonctionne en toute sécurité et afin d'en assurer la pérennité.

Ne tentez PAS de vérifier le foyer extérieur avant que le feu ne se soit complètement éteint.

1. Vérifiez toutes les pièces afin de vous assurer qu'elles sont bien fixées.

2. Vérifiez le socle du foyer, la hotte, le porte-bûches, la porte et les pare-étincelles afin de vous assurer qu'ils ne sont endommagés et ne présentent pas de trace de rouille.

3. Si une pièce quelleconque s'avère défectueuse, n'utilisez PAS le foyer avant d'avoir effectué les réparations nécessaires.

### Nettoyer le foyer extérieur

Ce foyer extérieur doit être nettoyé régulièrement pour qu'il fonctionne en toute sécurité et

afin d'en assurer la pérennité.

*Remarque:* Après plusieurs utilisations, le métal risque de présenter une légère décoloration.

**Ne tentez PAS de nettoyer le foyer extérieur avant que le feu ne se soit complètement éteint.**

**N'utilisez PAS de produit à nettoyer les fours.**

**NE placez aucune pièce du foyer extérieur dans un four autonettoyant. La chaleur**

**extrême endommagera le fini du foyer.**

**NE PAS utiliser de produits de nettoyage à base de pétrole ou d'alcool.**

**Avis:**

**1. La chaleur du foyer extérieur risque de décolorer la couche protectrice du cuivre et de la rendre plus foncée.**

**2. Restaurez l'apparence du cuivre en utilisant une éponge à récureur, du savon et de l'eau.**

**3. Une éponge à récureur est fournie pour le premier nettoyage.**

**4. Le cuivre apparent vieillera en se transformant en une patine naturelle.**

**5. Son apparence patinée deviendra de plus en plus belle avec l'âge.**

## Garantie Limitée

La société Blue Rhino Sourcing, LLC (“le fabricant”) garantit ce foyer extérieur au premier acheteur et à aucune autre personne, contre tout vice de fabrication et de matériau

de fabrication défectueux pendant une durée d'un (1) an à partir de la date d'achat si l'appareil est monté et utilisé conformément aux instructions imprimées fournies. Le fabricant vous demandera sans doute une preuve raisonnable d'achat provenant du détaillant ou du distributeur agréé.

Cette garantie limitée se limitera à la réparation ou au remplacement de pièces ayant été déterminées défectueuses par le fabricant lors de conditions d'utilisation et d'entretien normales. Avant de renvoyer une pièce, contactez le service à la clientèle du fabricant (Customer Service Department) à l'adresse ci-dessous. Si le fabricant confirme le défaut de fabrication comme étant couvert par la garantie et approuve la réclamation, ce dernier remplacera gratuitement les dites pièces. Si vous devez renvoyer des pièces défectueuses, les pièces devront être expédiées port-payé. Le fabricant s'engage à renvoyer les pièces à l'acheteur initial port-payé

Cette garantie limitée ne couvre pas les pannes et dysfonctionnements survenant suite à tout accident, mauvais usage, entretien incorrect du foyer extérieur, ou toute modification, mauvaise installation ou négligence comme il a été établi dans ce manuel.

De plus, cette garantie limitée ne couvre pas le fini, à savoir les rayures, les bosses, les traces de décoloration, de rouille ou les dommages résultant des intempéries après achat de l'article.

Cette garantie limitée remplace toute autre garantie expresse et il n'existe aucune autre garantie expresse à l'exception de la couverture indiquée ici. Le fabricant désavoue toute garantie couvrant des produits ayant été achetés auprès de revendeurs autres que les revendeurs et distributeurs agréés y compris toute garantie de commercialibilité et de qualité marchande ou d'adaptation à un usage particulier. APRÈS UN (1) AN, À SAVOIR LA DURÉE DE LA COUVERTURE DE LA GARANTIE EXPRESSE, LE FABRICANT DÉSAVOUE ET DÉCLINE TOUTE GARANTIE IMPLICITE Y COMPRIS TOUTE GARANTIE DE COMMERCIALIBILITÉ ET D'ADAPTATION À UN USAGE PARTICULIER. DE PLUS, LE FABRICANT NE POURRA ÊTRE TENU RESPONSABLE PAR L'ACHETEUR OU UN TIERS POUR TOUS DÉGÂTS ET DOMMAGES PARTICULIERS, INDIRECTS, PUNITIFS OU CONSÉCUTIFS.

Le fabricant décline toute responsabilité en cas de panne ou dysfonctionnement résultant d'une modification ou altération effectuée par un tiers. Cette garantie limitée FABRICANT NE POURRA ÊTRE TENU RESPONSABLE PAR L'ACHETEUR OU UN TIERS POUR

ni la limitation de dommages consécutifs ou accessoires et ces limitations peuvent ne pas vous être applicables.

Le fabricant ne permet en aucun cas à une personne ou à une société de s'attribuer des responsabilités et les obligations liées à la vente, l'installation, l'utilisation, la dépose ou le remplacement de cet appareil, et aucune de ces représentations n'engage la responsabilité du fabricant.

Blue Rhino Global Sourcing, LLC

104 Cambridge Plaza Drive

Winston-Salem, North Carolina 27104, États-Unis

Téléphone (800) 762-1142

Télécopie 24h par jour: (336) 659-6743

CustomerService@BlueRhino.com

## Enregistrement de l'appareil

Veuillez enregistrer votre appareil immédiatement sur le site internet www.BlueRhino.com ou appelez le 1.800.762.1142.

## Remiser le foyer extérieur

Ne tentez PAS de remiser le foyer extérieur avant que le feu ne se soit complètement éteint.

1. Attendez que le feu se soit complètement éteint et que les braises et le foyer extérieur soient froids au toucher, retirez les cendres et jetez-les à la poubelles comme il se doit.

2. Recouvrez le foyer extérieur avec une housse de protection résistante en vinyle d'une taille adéquate pour ce modèle.

3. Remisez le foyer extérieur complètement assemblé hors de la portée des enfants et des animaux domestiques et de compagnie.

*Remarque:* Si vous n'utilisez pas de housse de protection, remisez le foyer extérieur dans un endroit sec afin d'en assurer la pérennité.